

# SPECTRUM



*Spectrum case - Asian Galleries, Art Gallery of New South Wales (photography by Brendon McGeachie)*

designcase

Phone 02 6290 4900

[www.designcase.net.au](http://www.designcase.net.au)



*Spectrum cases - Old Parliament House, Canberra*

## designcase

The Spectrum style case features maximum display flexibility combined with complete security protection. The upper system frame provides an integral housing for lighting. The Spectrum system is extremely versatile and is widely used for major showcase constructions as both glass, EO MDF, steel and other structural panels can be used.

Spectrum cases can be single or multi-bay, freestanding or located on a plinth, platform or steel structure, or wall mounted. Case configurations include straight cases, stepped runs of doors, cruciform, L shape, triangular, hexagonal, octagonal and multifaceted.

There is also choice of access with the Spectrum showcases that includes both pull and slide and hinged access cases. For the pull and slide option, precision engineered steel door mechanisms offer smooth, effortless operation with 60% opening to left and right. Spectrum doors can also be hinged with a fully concealed dual action hinge that allows the door to open within its width.

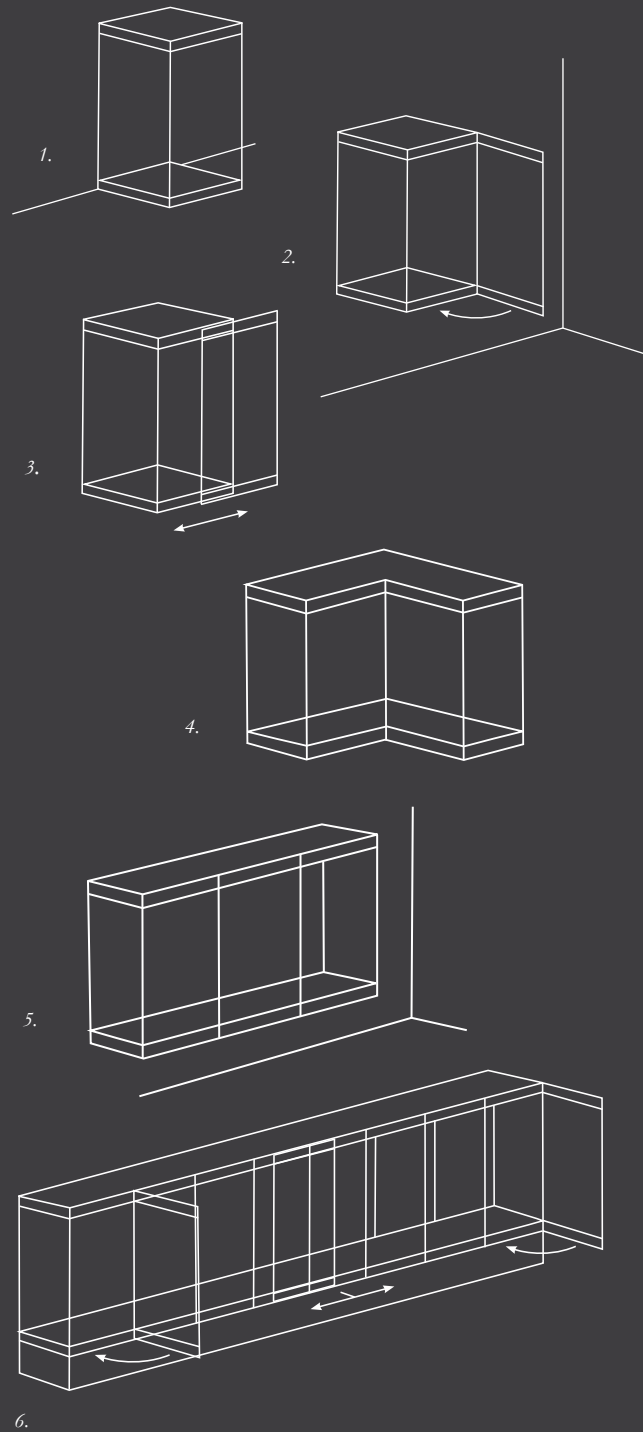
This allows all glass panels in a case run to be specified as opening doors. Spectrum cases are also available in demountable form for temporary or touring exhibitions, or where access is an issue into an exhibition space. Spectrum cases offer a choice of adjustable shelving systems. The system frame is supplied with a powder coated finish to any Dulux or Interpon powder coat colour specification with other finishes available on application.

High security Abloy™ locks are fitted as standard in addition to one or more two way structural locking systems. Museum quality laminated security or anti-bandit specification glass is standard and also provides important protection from external UV radiation. The option of low iron glass ensures that delicately coloured items such as illuminated manuscripts, textiles and art are seen in their true colours.

Cases are fully sealed and have been tested and approved by BSRIA to achieve an air change rate of 0.1% per day.

all glass case with integral lighting section

# SPECTRUM



*Spectrum case set into joinery (above) -  
Conflicts 1945 to Today, Australian War Memorial*



*Spectrum case supporting joinery - Melbourne Gallery, Melbourne Museum*

1. Floor mounted
2. Hinged access
3. Pull and slide access
4. Corner unit/custom shape
5. Wall mounted
6. Combination doors

## GUIDELINES

System name	Spectrum
Main features	All glass cases with integral lighting hood. Maximum versatility of design and display with optimum security and conservation specification.
Format	Single or multi-bay. Freestanding or plinth, mounted. Full height glass as standard. Mounted on or against a wall. Stepped sections, cruciform, L shaped, triangular, hexagonal, octagonal and multifaceted.
Access	Choice of precision engineered pull and slide door with 60% opening to left and right. Fully concealed dual action hinged door.
System frame	Aluminium top and bottom, 125mm depth. Powder coated finish to any Dulux or Interpon powder coat colour reference.
Max height	3000mm
Min height	500mm
Max door width	Pull and slide 3000mm, hinged 1200mm
Max glass panel area	4 square metres
Glass thickness	8.8 - 13.5mm laminated museum glass to either BS 6206A safety glass or BS 5544 anti-bandit specification.
Locking	Abloy™ CL291 removable cartridge locks to conceal 2 way structural locking system.
Glass	Standard or low iron laminated museum glass which filters over 97% of UV radiation between 320 & 380 nanometers. Non reflective glass option.
Internal Panels	EO MDF with appropriate sealing and inert spray finish or approved fabric covering to clients specifications.
Door seal	Extruded silicone bubble seal.
Glass to metal joints	Neutral curing silicone to allow for differential thermal expansion.
Lighting	Options include fibre optics, LED, low voltage and fluorescent all with dimming and UV filtration. Diffusers include, cellular, glass, louvre, solid and filtering.
Shelving	Fully height adjustable with suspended hanging rods or cantilever shelf supports.
Environmental conditioning	Humidity, temperature and pollution control can be provided passively or through our specialised equipment.

designcase